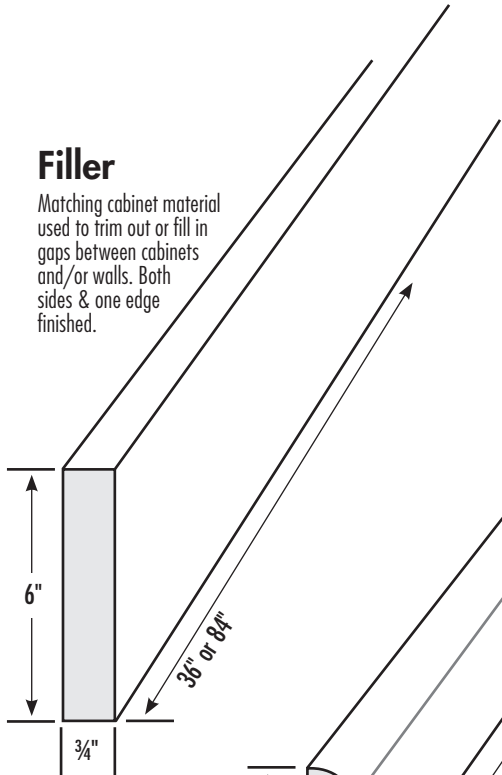


Drawings not to scale

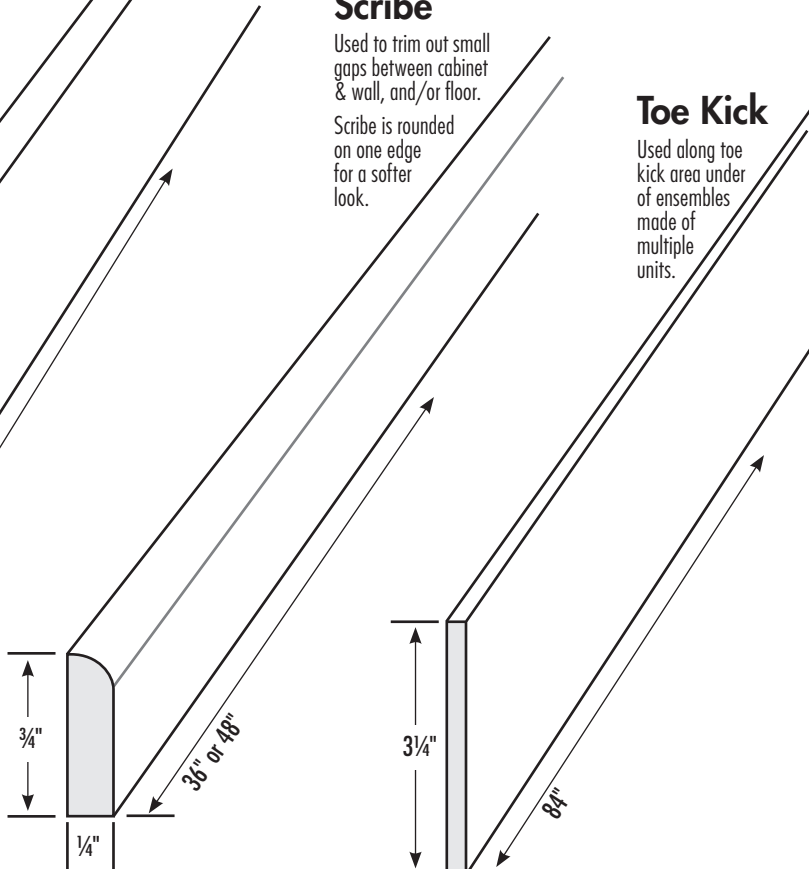
Filler

Matching cabinet material used to trim out or fill in gaps between cabinets and/or walls. Both sides & one edge finished.



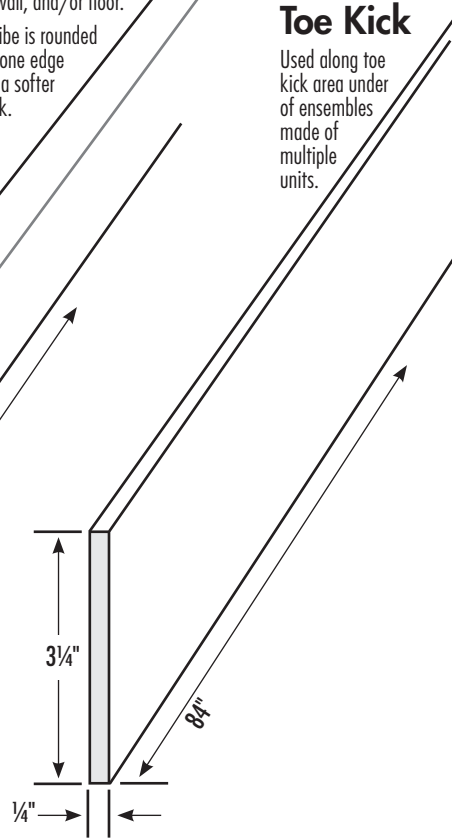
Scribe

Used to trim out small gaps between cabinet & wall, and/or floor. Scribe is rounded on one edge for a softer look.



Toe Kick

Used along toe kick area under of ensembles made of multiple units.



Filler

36" or 84" Lengths
3/4" thick
6" wide

Scribe

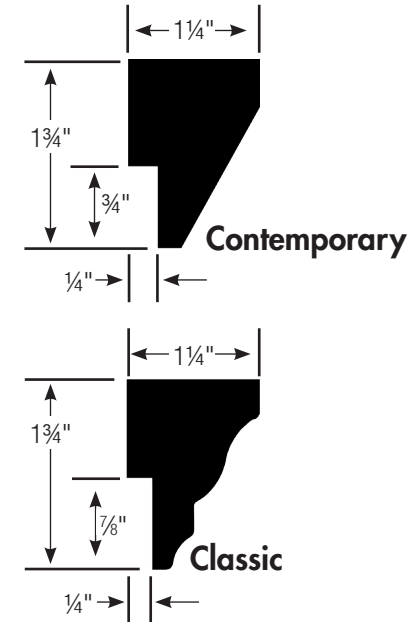
36" or 48" Lengths
1/4" thick
3/4" wide

Toe Kick

84" Lengths
1/4" thick
3 1/4" wide

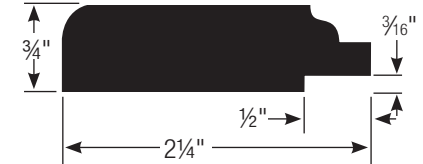
Crown Molding

72" strips

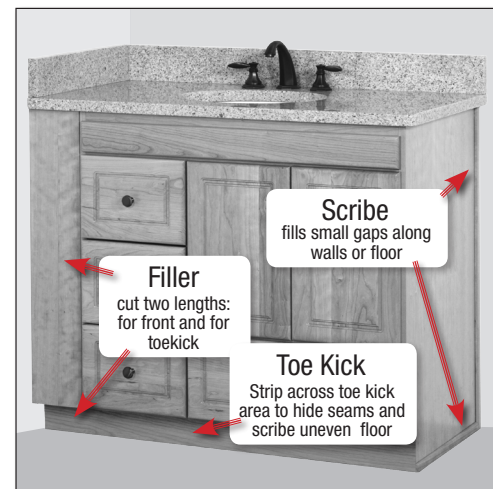


Molding Strips

Three profiles to match our framed doors and mirrors
72" strips



These dimensions apply to all five molding profiles.



Cut Filler or Scribe to length and secure in place with adhesive or fasteners of your choice.

Fillers are commonly ripped (cut) to the width desired by installer. Note that the space to fill may be wider or narrower at the top than at the bottom and requires a cut to fit.

Toe kick strips will likely need to be scribed to the floor to accommodate unevenness.